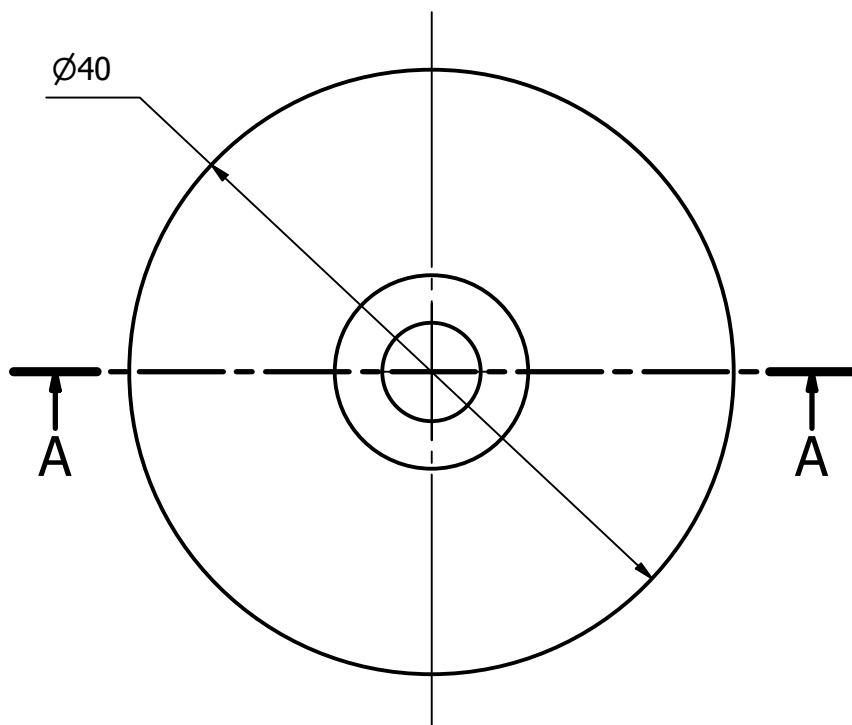
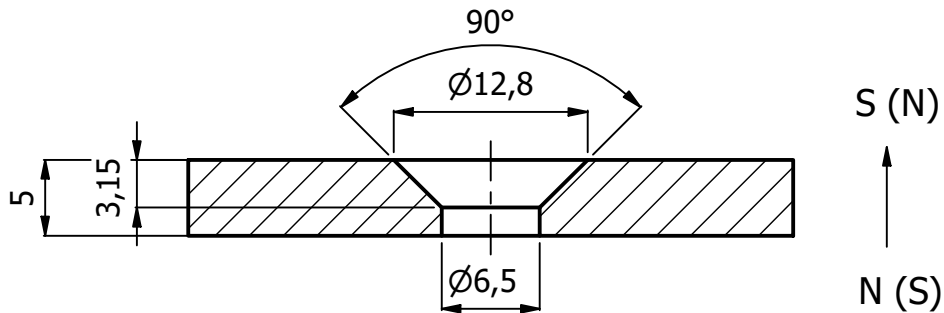



# A-A ( 2 : 1 )



1:1 scale

All measures are in millimeters (mm)

Author M.D.	Date 17/02/2020	Type N35	Surface Treatment Nickel coated	Material Neodymium	Measures tolerance: +/- 0.1 mm
			Description Countersink hole magnet - axially magnetized (N+S)		
			Code NS01.35NI00.4056	Scale 2 : 1	Format A4
Via F. Comelli 39 33034 Fagagna UD - Tel. 0432 801675					