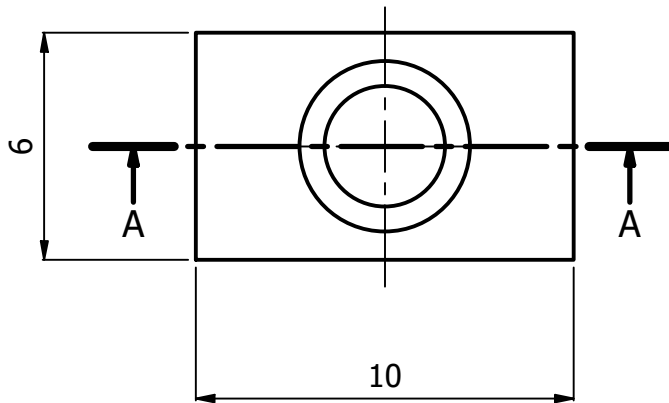
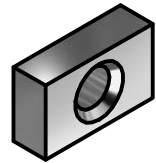


S (N)  
↑  
N (S)



| Rev. | Modif. description | Date | Signature |
|------|--------------------|------|-----------|

|                |                    |                       |                                    |                            |             |
|----------------|--------------------|-----------------------|------------------------------------|----------------------------|-------------|
| Author<br>M.D. | Date<br>03/06/2024 | Material<br>Neodymium | Surface treatment<br>Nickel coated | Meas. tolerance<br>+/- 0.1 | Units<br>mm |
|----------------|--------------------|-----------------------|------------------------------------|----------------------------|-------------|

**ITALFIT magneti**

Via Comelli, 39  
33034 Fagagna (Ud)  
Tel 0432/801675 Fax 0432/810197  
P.IVA e C.F. 02610340305

Description

Countersunk hole magnet - axially magnetized (N + S pole)

Code

NQ01.35NI00.1063

Scale

5 : 1

Sheet

A4